

# Parents

MAGAZINE  
CHILD + SAFETY

## Deluxe Wood Walk-Thru Gate

Please read these helpful hints in addition to reading your instruction manual carefully.

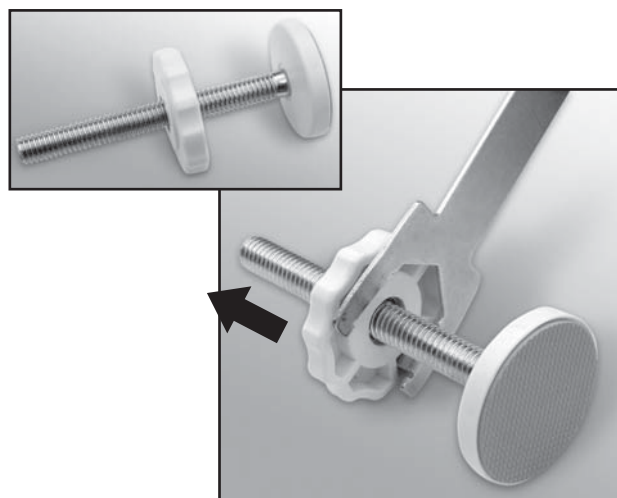
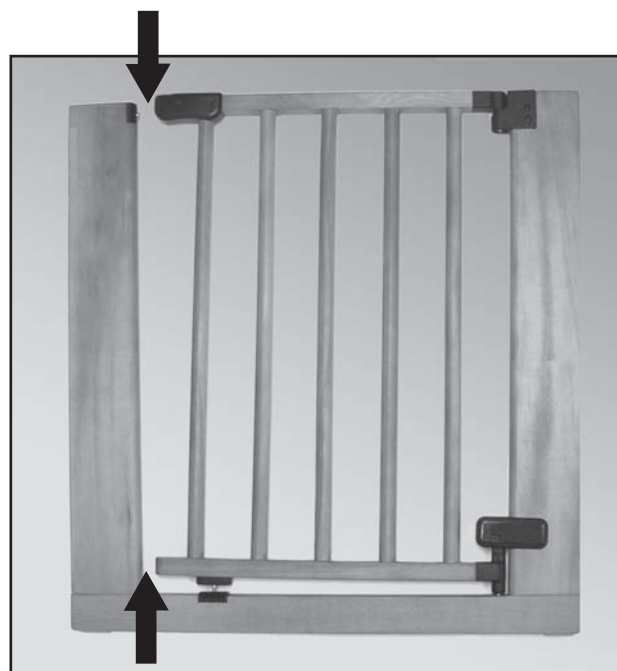
**When you unpack the gate, you will notice it is NOT square. This is normal and not damage to the gate.**

It is manufactured at a pre-set angle so that when it is installed in an opening properly, it will maintain the correct amount of tension and cannot be pushed out of the opening under normal use.

**The 4 tension bolts, with adjusting knobs, simply slide into the gate frame—they do NOT screw into place.**

To create tension against the walls of the opening, turn the knob on each tension bolt with the wrench provided until the gate is snug.

**What to expect from your  
Deluxe Wood Walk-Thru Gate  
Model #07057A**



© 2004 Gruner + Jahr Publishing, Parents © and Parents Magazine Child + Safety™ are trademarks of Gruner + Jahr Printing and Publishing Co., New York, N.Y. Visit our website: [www.parents.com](http://www.parents.com)  
Manufactured under license by Summer Infant, Inc., Lincoln, RI 02865  
Made in China to Summer Infant, Inc., quality specifications  
Questions? Comments? Contact us:  
Parents c/o Summer Infant, Inc.  
6 Blackstone Valley Place, Suite 206  
Lincoln, RI 02865 USA  
[www.summerinfant.com](http://www.summerinfant.com)  
1-800-268-6237  
Colors and styles may vary.