



07051A

What to expect from your
Summer Infant Sure and Secure™
Deluxe Wood Pressure Gate
Model #07051A

SURE AND SECURE™ DELUXE WOOD WALK-THRU GATE

Please read these helpful hints in addition to reading your instruction manual carefully.

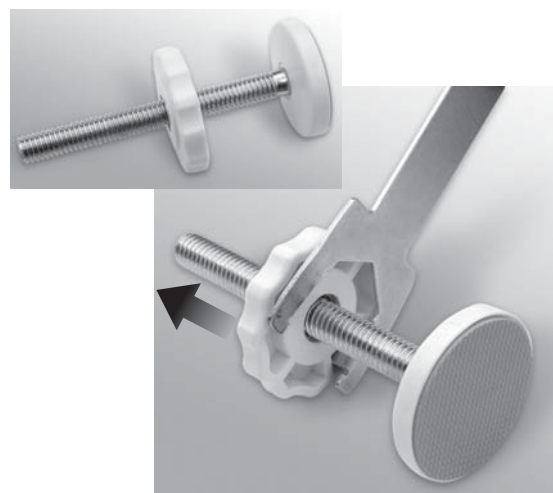
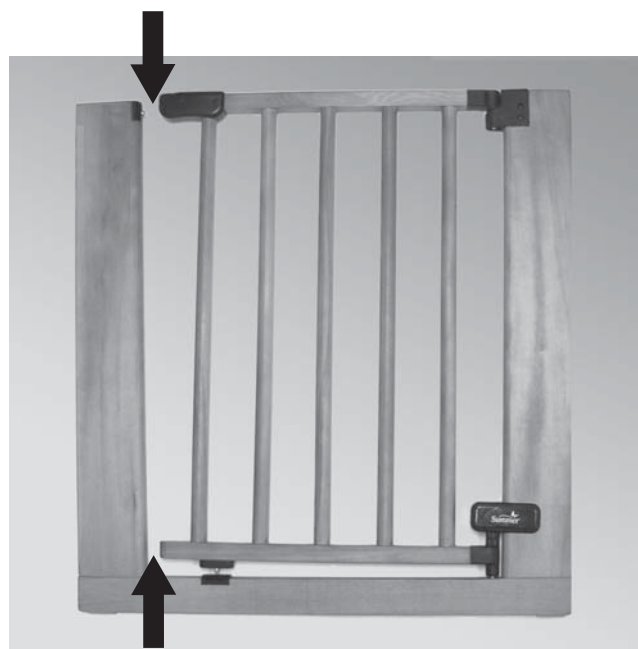
When you unpack the gate, you will notice it is NOT square. This is normal and not damage to the gate.

It is manufactured at a pre-set angle so that when it is installed in an opening properly, it will maintain the correct amount of tension and cannot be pushed out of the opening under normal use.

The 4 tension bolts, with adjusting knobs, simply slide into the gate frame—they do NOT screw into place.

To create tension against the walls of the opening, turn the knob on each tension bolt with the wrench provided until the gate is snug.

Follow steps on the instruction sheet carefully and the installation should go smoothly. If you have any problems, please do not return the gate to the store where you purchased it. Call our customer service line at 44 (0)20 8420 4429 and someone should be able to help you with installation. If you are an international customer, please email us at customerservice@summerinfant.com.



Summer Infant, Inc.
6 Blackstone Valley Place
Suite 206
Lincoln, RI 02865 USA
1-800-268-6237
©2003 Summer Infant, Inc.

www.summerinfant.com

Summer Infant Europe, LTD.
20 Sparrows Herne
Bushey, Hertfordshire WD23 1FX UK
44 (0)20 8420 4429